



minigarden

The most successful Green Wall system in the world, perfect for green wall building, interior design, hedge, and urban farming.

專業的綠牆系統，在世界各地，已完成眾多個案

*... modular design gives plenty of application*



minigarden

URBAN GREEN REVOLUTION™



**ECOAMIGO VIDAVERDE LDA**

澳美好生活有限公司

✿ Quality Product ✿ Quality Life ✿

Travessa de S. Domingos No.2A,  
Centro Comercial Lek Tang, A1 Andar, MACAU.

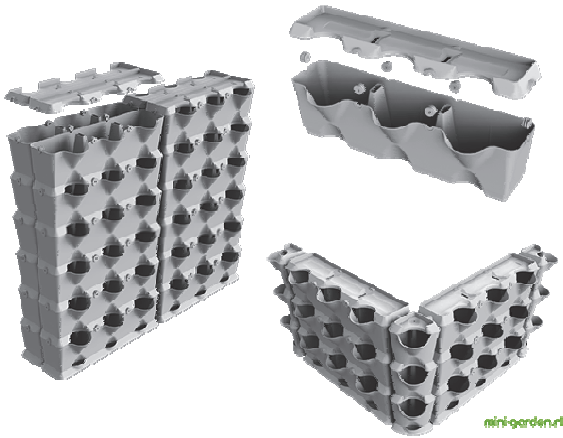
澳門，板樟堂巷2A號，力騰商業中心，A1樓。

Tel (+853) 2835 6737 Fax (+853) 2835 6264

[ecoamigo.macao](http://ecoamigo.macao) [www.ecoamigoliving.com](http://www.ecoamigoliving.com)

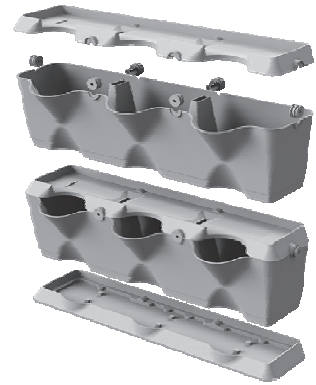


# for our Health Plants Growing... for our Public Safety... How to Select a good GreenWall System?



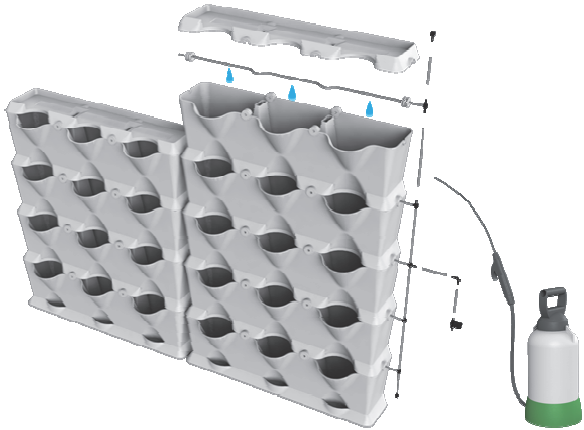
## MATERIAL 全天候物料:

made of high UV-Protection material, for extreme weather in terms of solar radiation and temperature (-20°C to 40°C), with 10 years life.



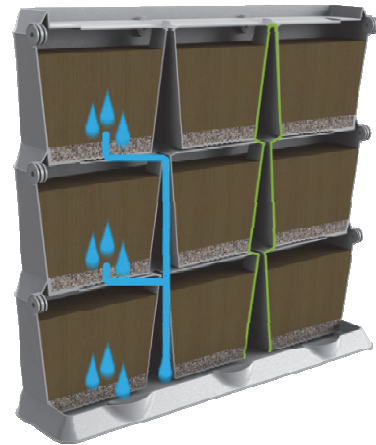
## LARGE SPACE 特大泥膽:

adequate space for roots growing; precise amount of substrates, water, nutrients, drainage and air for plants healthy grow.



## DEPENDANT IRRIGATION 獨立澆灌:

independent Drip Irrigation Line evenly distributes water for every module plant.



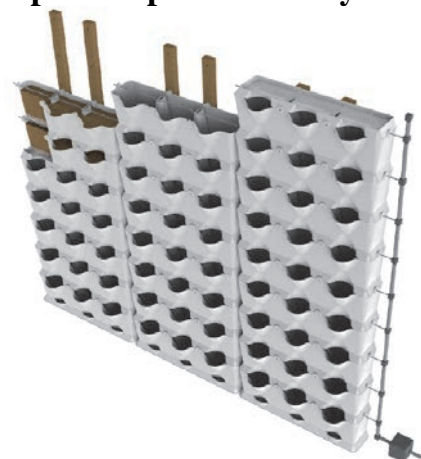
## INDEPENDENT DRANIGE 獨立排水:

drain water block by dividers and directly pass out, to protect plants for any infection.



## LIGHT WEIGHT 超輕重量:

only 65kg per square meter of the completed GreenWall will all necessary living plants and substrates.



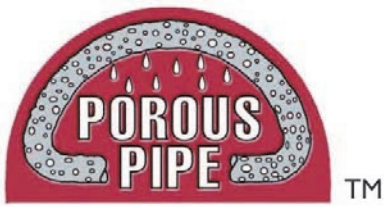
## HEAVY LOAD CONSTRUCTION 特強結構:

every each module stands more than a 200kg distributed vertical weight, with deformation pressure value above 10MPa.



**ECOAMIGO VIDAVERDE LDA**  
澳美好生活有限公司  
\* Quality Product \* Quality Life \*

Travessa de S. Domingos No.2A,  
Centro Comercial Lek Tang, A1 Andar, MACAU.  
澳門, 板樟堂巷2A號, 力騰商業中心, A1樓.  
Tel (+853) 2835 6737 Fax (+853) 2835 6264  
f ecoamigo.macao www.ecoamigoliving.com



*Green Wall*  
*Irrigation System*  
環保節水滴灌系統



**Porous Pipe - Save 50% to 70% water – a perfect Irrigation Drip-Pipe**

**Porous Pipe** is a kind of **Drip Irrigation** using the latest state-of-the-art technology.

Subsurface irrigation system delivers water, nutrients and oxygen **Direct-to-Root** of your plant. Uniform delivery water and nutrient results in maximum plant growth and optimum plants health.

- ⊙ Saves water up to 50% and fertilizer up to 65%
- ⊙ Efficient aeration of soil
- ⊙ Eliminate damage by weather & field heavy equipment
- ⊙ Less labor and maintenance cost
- ⊙ Creates uniform reservoir moisture in drought & flood weather
- ⊙ Implement traditional sprinkler system especially for irregular planters
- ⊙ U.V. degradation protection
- ⊙ Low pressure system
- ⊙ Porous in nature, hence eliminate the opportunities of blockage by soil, mulch and mud



Manufactured from a mixture of thermoplastic and **recycled rubber from vehicle tires**, undergoes a proprietary process and converts into a continuous cylindrical membrane.

This resultant pipe provides a consistent network of capillary pathways through the pipe walls, allowing a steady and uniform weep rate, performing perfectly after 10 years and the material (recycled rubber tires) used can last longer than 20 years.

**5mm MicroBore: Water flow rate: 1 - 3 Litres/m/hr at 1 - 3 bar**  
**13mm MicroBore: Water flow rate: 2 - 6 Litres/m/hr at 0.5 - 3 bar**  
For use above or below ground



**ECOAMIGO VIDAVERDE LDA**  
澳美好生活有限公司  
✿ Quality Product ✿ Quality Life ✿

Travessa de S. Domingos No.2A,  
Centro Comercial Lek Tang, A1 Andar, MACAU.  
澳門, 板樟堂巷2A號, 力騰商業中心, A1樓.  
Tel (+853) 2835 6737 Fax (+853) 2835 6264  
f ecoamigo.macao www.ecoamigoliving.com